

FOR CAR USE ONLY/NUR FÜR AUTOMOBIL GEBRAUCH/POUR APPLICATION AUTOMOBILE UNIQUEMENT/PARA USO
EN AUTOMÓVILES/SOLO PER L'UTILIZZO IN AUTOMOBILE/ENDAST FÖR BILBRUK/ALLEEN VOOR GEBRUIK IN DE
AUTO/ТОЛЬКО ДЛЯ ИСПОЛЬЗОВАНИЯ В АВТОМОБИЛЯХ/DO UŻYCIA TYLKO W SAMOCHODZIE



9-inch Digital Media Station iLX-F903D

- INSTALLATION MANUAL
- INSTALLATIONSANLEITUNG
- GUIDE D'INSTALLATION
- MANUAL DE INSTALACIÓN
- MANUALE DI INSTALLAZIONE
- INSTALLATIONSHANDBOK
- INSTALLATIEHANDLEIDING
- РУКОВОДСТВО ПО УСТАНОВКЕ
- INSTRUKCJA MONTAŻU

EN

DE

FR

ES

IT

SE

NL

RU

PL

ALPINE ELECTRONICS MARKETING, INC.
1-7, Yukigaya-Otsukamachi, Ota-ku,
Tokyo 145-0067, JAPAN
Phone: 03-5499-4531

ALPINE ELECTRONICS OF AMERICA, INC.
19145 Gramercy Place, Torrance,
California 90501, U.S.A.
Phone 1-800-ALPINE-1 (1-800-257-4631)

ALPINE ELECTRONICS OF AUSTRALIA PTY. LTD.
161-165 Princes Highway, Hallam
Victoria 3803, Australia
Phone 03-8787-1200

ALPINE ELECTRONICS GmbH
Wilhelm-Wagenfeld-Str. 1-3, 80807 München, Germany
Phone 089-32 42 640

ALPINE ELECTRONICS OF U.K. LTD.
Alpine House
Fletchamstead Highway, Coventry CV4 9TW, U.K.
www.alpine.co.uk

ALPINE ELECTRONICS France S.A.R.L.
184 allée des Erables
CS 52016 – Villepinte
95 945 Roissy CDG cedex
FRANCE
Phone : + 33(0)1 48 63 89 89

ALPINE ITALIA S.p.A.
Viale Cristoforo Colombo 8,
20090 Trezzano sul Naviglio MI, Italy
Phone +39 02 484781

ALPINE ELECTRONICS DE ESPAÑA, S.A.
Portal de Gamarra 36, Pabellón, 32
01013 Vitoria (Alava)-APDO 133, Spain
Phone 945-283588

Contents

WARNING	2
CAUTION	2
Precautions	3
Accessory List	3
Installation	3
Caution concerning the installation location	3
Adjust the front-back position of the Display unit (Optional)	4
Attach the Sheet cap (Only necessary when the front-back position of the Display unit is in the forward position)	4
Mounting the GPS Antenna inside the vehicle	4
Mounting the Microphone	5
Installation example using the Original Mounting Bracket	5
Install the display unit	6
Connections	9
If an ACC power supply is not available	11
System Example	12
Position Adjustment and Mounting Dimensions of the Display	18



WARNING

This symbol means important instructions. Failure to heed them can result in serious injury or death.

DO NOT DISASSEMBLE OR ALTER.

Doing so may result in an accident, fire or electric shock.

KEEP SMALL OBJECTS SUCH AS SCREWS OUT OF THE REACH OF CHILDREN.

Swallowing them may result in serious injury. If swallowed, consult a physician immediately.

USE THE CORRECT AMPERE RATING WHEN REPLACING FUSES.

Failure to do so may result in fire or electric shock.

DO NOT BLOCK VENTS OR RADIATOR PANELS.

Doing so may cause heat to build up inside and may result in fire.

USE THIS PRODUCT FOR MOBILE 12V APPLICATIONS.

Use for other than its designed application may result in fire, electric shock or other injury.

MAKE THE CORRECT CONNECTIONS.

Failure to make the proper connections may result in fire or product damage.

USE ONLY IN CARS WITH A 12 VOLT NEGATIVE GROUND.

(Check with your dealer if you are not sure.) Failure to do so may result in fire, etc.

BEFORE WIRING, DISCONNECT THE CABLE FROM THE NEGATIVE BATTERY TERMINAL.

Failure to do so may result in electric shock or injury due to electrical shorts.

DO NOT ALLOW CABLES TO BECOME ENTANGLED IN SURROUNDING OBJECTS.

Arrange wiring and cables in compliance with the manual to prevent obstructions when driving. Cables or wiring that obstruct or hang up on places such as the steering wheel, shift lever, brake pedals, etc. can be extremely hazardous.

DO NOT SPLICE INTO ELECTRICAL CABLES.

Never cut away cable insulation to supply power to other equipment. Doing so will exceed the current carrying capacity of the wire and result in fire or electric shock.

DO NOT DAMAGE PIPE OR WIRING WHEN DRILLING HOLES.

When drilling holes in the chassis for installation, take precautions so as not to contact, damage or obstruct pipes, fuel lines, tanks or electrical wiring. Failure to take such precautions may result in fire.

DO NOT USE BOLTS OR NUTS IN THE BRAKE OR STEERING SYSTEMS TO MAKE GROUND CONNECTIONS.

Bolts or nuts used for the brake or steering systems (or any other safety-related system), or tanks should NEVER be used for installations or ground connections. Using such parts could disable control of the vehicle and cause fire etc.

DO NOT INSTALL IN LOCATIONS WHICH MIGHT HINDER VEHICLE OPERATION, SUCH AS THE STEERING WHEEL OR SHIFT LEVER.

Doing so may obstruct forward vision or hamper movement etc. and results in serious accident.

DO NOT INSTALL THE MONITOR NEAR THE PASSENGER SEAT AIR BAG.

If the unit is not installed correctly the air bag may not function correctly and when triggered the air bag may cause the monitor to spring upwards causing an accident and injuries.



CAUTION

This symbol means important instructions. Failure to heed them can result in injury or material property damage.

HAVE THE WIRING AND INSTALLATION DONE BY EXPERTS.

The wiring and installation of this unit requires special technical skill and experience. To ensure safety, always contact the dealer where you purchased this product to have the work done.

USE SPECIFIED ACCESSORY PARTS AND INSTALL THEM SECURELY.

Be sure to use only the specified accessory parts. Use of other than designated parts may damage this unit internally or may not securely install the unit in place. This may cause parts to become loose resulting in hazards or product failure.

ARRANGE THE WIRING SO IT IS NOT CRIMPED OR PINCHED BY A SHARP METAL EDGE.

Route the cables and wiring away from moving parts (like the seat rails) or sharp or pointed edges. This will prevent crimping and damage to the wiring. If wiring passes through a hole in metal, use a rubber grommet to prevent the wire's insulation from being cut by the metal edge of the hole.

DO NOT INSTALL IN LOCATIONS WITH HIGH MOISTURE OR DUST.

Avoid installing the unit in locations with high incidence of moisture or dust. Moisture or dust that penetrates into this unit may result in product failure.

Precautions

- Be sure to disconnect the cable from the (-) battery post before installing your unit. This will reduce any chance of damage to the unit in case of a short-circuit.
- Be sure to connect the colour coded leads according to the diagram. Incorrect connections may cause the unit to malfunction or damage to the vehicle's electrical system.
- When making connections to the vehicle's electrical system, be aware of the factory installed components (e.g. on-board computer). Do not tap into these leads to provide power for this unit. When connecting the unit to the fuse box, make sure the fuse for the intended circuit of the unit has the appropriate amperage. When in doubt, consult your Alpine dealer.
- The unit uses female RCA-type jacks for connection to other units (e.g. amplifier) having RCA connectors. You may need an adaptor to connect other units. If so, please contact your authorized Alpine dealer for assistance.
- Be sure to connect the speaker (-) leads to the speaker (-) terminal. Never connect left and right channel speaker cables to each other or to the vehicle body.

Accessory List

Main unit.....	1
Display unit.....	1
Owner's Manual.....	1set

<Cables>

Power cable.....	1
GPS Antenna.....	1
Antenna mounting plate.....	1
Cable clamp for antenna.....	1set
USB extension cable.....	1
PRE OUT cable.....	1
Microphone.....	1
CAN I/F cable.....	1
W.REMOTE cable.....	1

<Main unit mounting parts>

HDMI Bracket.....	1
Flush head screw (M5×8).....	4
Screw (M5×8).....	4

<Display unit mounting parts>

POWER PLATE.....	1
Cover rear L.....	1
Cover rear R.....	1
Flush head screw (M4×13).....	2(*1)
Screw (M4×6).....	7(*2)
Screw (M3×4).....	2(*3)
Sheet cap.....	4(*4)

- Amounts of Display unit mounting parts marked with * include spare parts provided in case of loss. Store them safely.
- *1 Number of spares for up-down adjustment of the Display.
- *2 Includes 3 spares for fixing and adjusting the angle of the Display.
- *3 Includes 1 spare for fixing the Cover middle.
- *4 Includes 2 spares for blocking the display screen.

Installation

Mounting

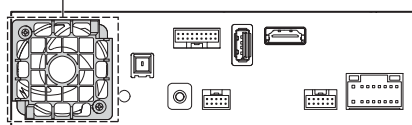
Consult "Position Adjustment and Mounting Dimensions of the Display" (page 18) in advance so that this unit does not obstruct your field of vision or impair driving when mounted.

Caution

- Do not block the unit's fan, thus preventing air circulation. If blocked, heat will accumulate inside the unit and may cause a fire.

<example>

Air ventilation hole

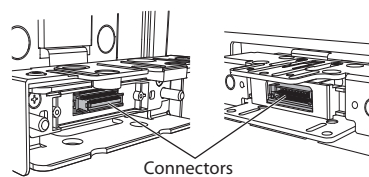


Rear of the Unit

- When installing the display unit and main unit, do not touch the connectors with your hands.

<Display unit>

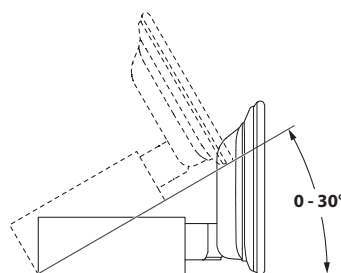
<Main unit>



Caution concerning the installation location

Angle of installation

Install at an angle between horizontal and 30°. Note that installing at an angle outside of this range will result in a loss of performance and possibly damage.



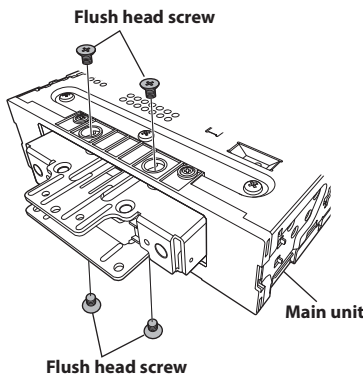
Adjust the front-back position of the Display unit (Optional)

Depending on the vehicle, it may be necessary to adjust the front-back position of the Display unit when mounting it. If front-back position adjustment is necessary, set the slider to the back position before mounting the display unit to the vehicle. [Default setting: forward position]

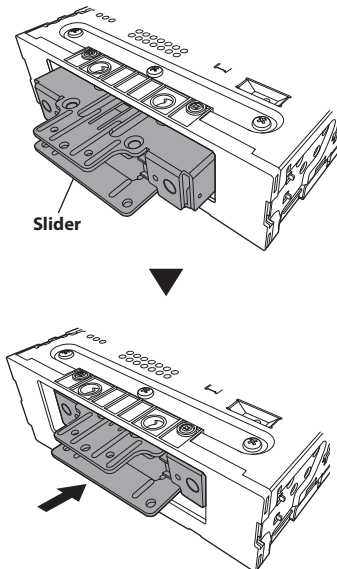
WARNING

MAGNETIC SCREWDRIVER REQUIRED TO CAREFULLY REMOVE SCREWS.

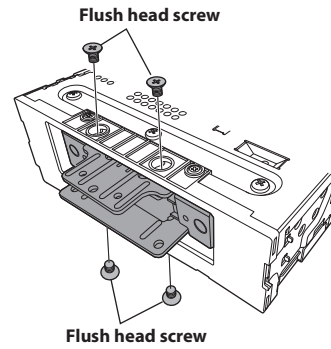
- 1 Remove 4 flush head screws from the Top and Bottom of the main unit.



- 2 Push the slider to the back position (To return the slider to the forward position, pull it forward).

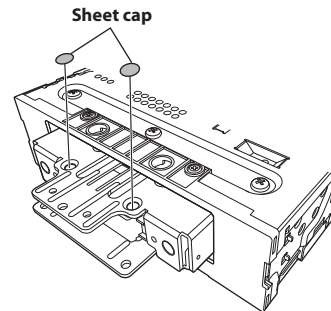


- 3 Tightly fix the slider using the 4 screws that were removed in Step 1.



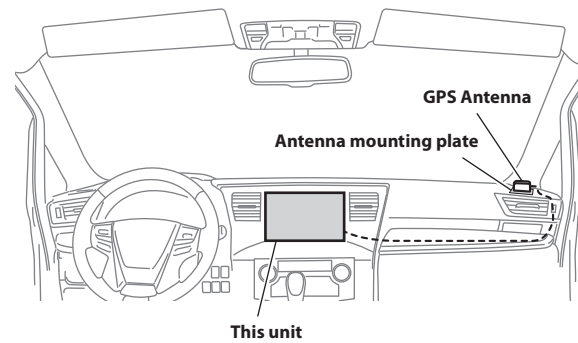
Attach the Sheet cap (Only necessary when the front-back position of the Display unit is in the forward position)

Only attach the Sheet cap when the front-back position of the Display unit is in the forward position.



Mounting the GPS Antenna inside the vehicle

- 1 Clean the mounting location.
- 2 Put on the GPS Antenna mounting plate.
- 3 Mount the GPS Antenna.



- Do not mount the GPS Antenna inside the centre console.
 - Mount the GPS Antenna on a flat plane of the dash board or rear tray.
 - Make sure the GPS Antenna is not covered (obstructed) by any metallic surface or object.

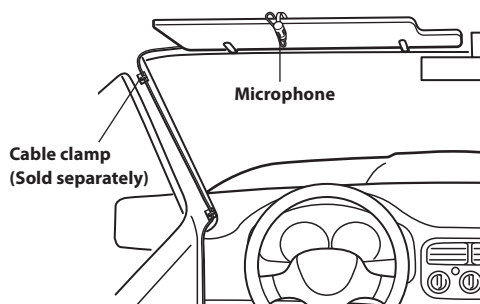
- If the GPS Antenna is mounted near the unit, the reception becomes poor, and the location of your vehicle may not be displayed correctly.
 - Mount the GPS Antenna far away enough from the unit.
 - Bundle the GPS Antenna cable away from the rear of the unit.
- Some thermal reflection type or thermal absorption type glass may interrupt high frequency waves. If reception is poor with the antenna installed inside the car, try to mount the antenna outside the car.

Mounting the Microphone

For safe use, make sure of the following:

- Location is stable and firm.
- Does not interfere with safety equipment.
- Driver's view and operations are not obstructed.
- Microphone is located where the driver's voice can be easily picked up (for example, on the sun visor).

When you speak into the microphone, you should not have to change your driving posture. This may cause a distraction, taking your attention away from safely driving your vehicle. Carefully consider direction and distance while mounting the microphone. Confirm that the driver's voice can be easily picked up at the selected location.

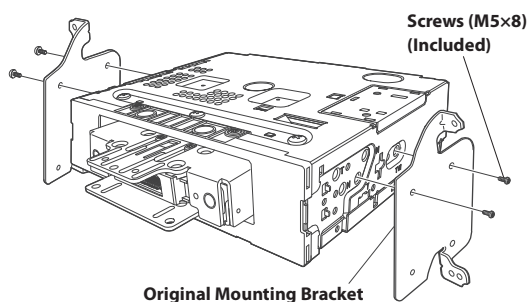


Installation example using the Original Mounting Bracket

1 Mount the original mounting bracket to the main unit using the supplied screws.

- If you do not have the original mounting bracket, mount the Double din KIT* (provided with the side mounting bracket), etc. to the main unit.

* Sold separately.

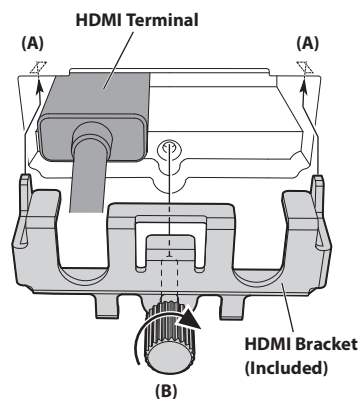


2 Connect all other leads of the main unit according to details described in the "Connections" (page 9).

Note on using HDMI Connection Cables (HDMI Cable not included)

When using HDMI connection cables, secure the cables to the HDMI Terminals with the supplied HDMI Bracket.

- 1) Slide the HDMI Bracket into the grooves (A).
- 2) Secure it with the screw (B).



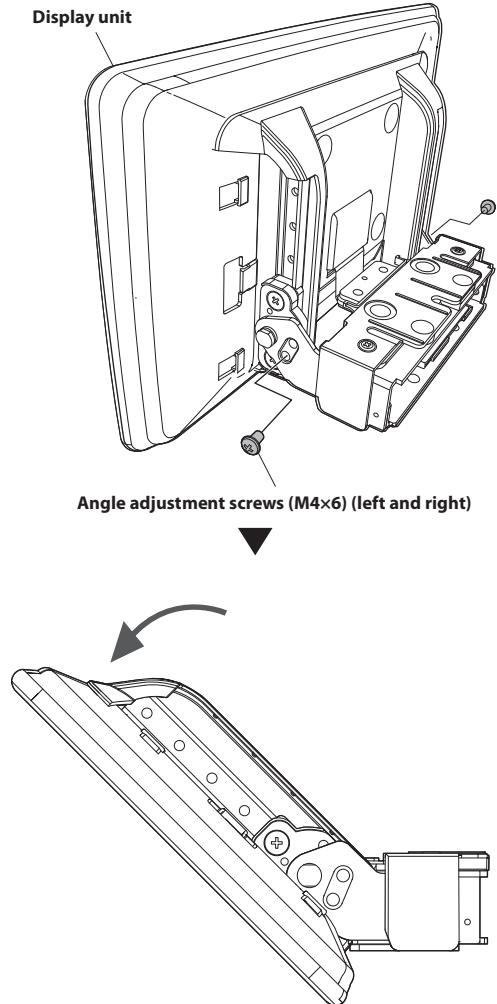
3 Mount the main unit in a car.

- Fix the cables carefully. Do not damage them by mounting them into movable parts, such as the seat rail, or by locating them against sharp or pointed edges.

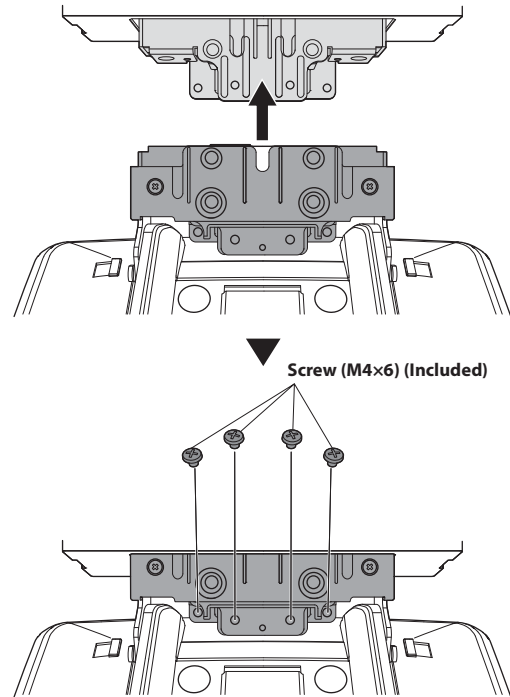
4 Reattach the removed vehicle parts (panels, etc.) or other aftermarket dash kit back onto the vehicle.

Install the display unit

- 1 Remove the 2 angle adjustment screws (M4×6) fixing the left and right sides of the Display unit and pull the top of the display forward.

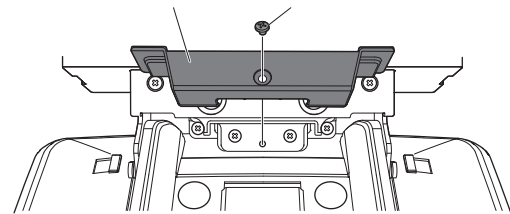


- 2 Fix the Display unit to the slider of the main unit using 4 screws (M4×6).



- 3 Mount the POWER PLATE using a screw (M3×4).

POWER PLATE (Included) Screw (M3×4) (Included)



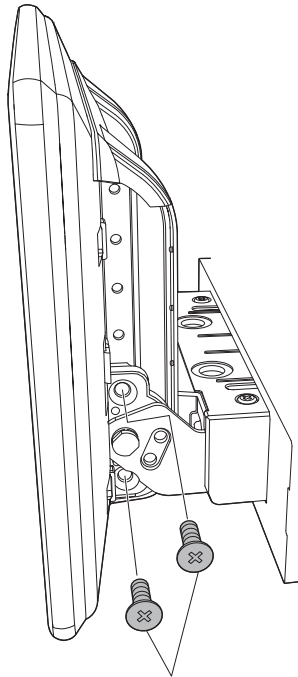
- If you do not attach the POWER PLATE, the display will not turn on. Make sure to attach the POWER PLATE.

- Vertical positioning screws may need to be removed earlier (See Step 4) in order to manipulate the screen enough to install the POWER PLATE.

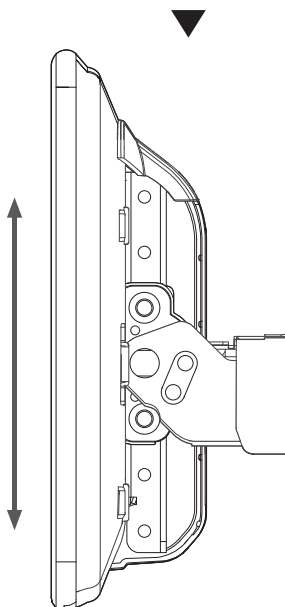
4 Adjust the mounting position of the display.

- The available adjustment positions of the Display differ depending on the front-back/up-down/angle positions. Consult "Position Adjustment and Mounting Dimensions of the Display" (page 18) for details.

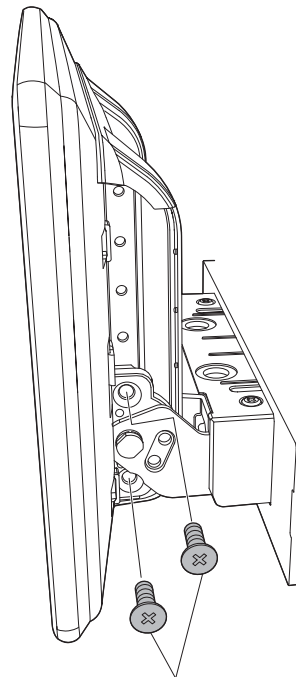
- 1) Hold the Display up vertically, remove the 4 flush head screws (M4×13) on the left and right sides for up-down adjustment, and adjust the up-down position of the display.



Flush head screw (M4×13)
(left and right)

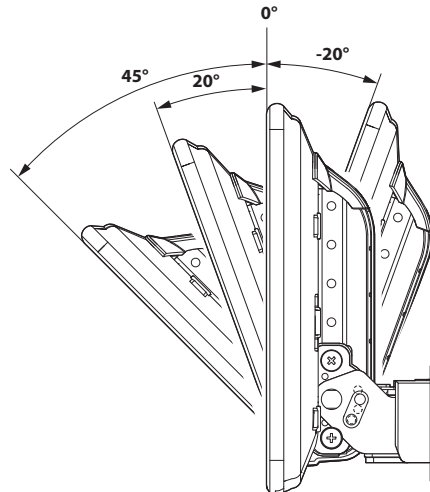


- 2) After adjustment, tightly fix the display with the 4 Flush head screws (M4×13) for up-down adjustment.



Flush head screw (M4×13)
(left and right)

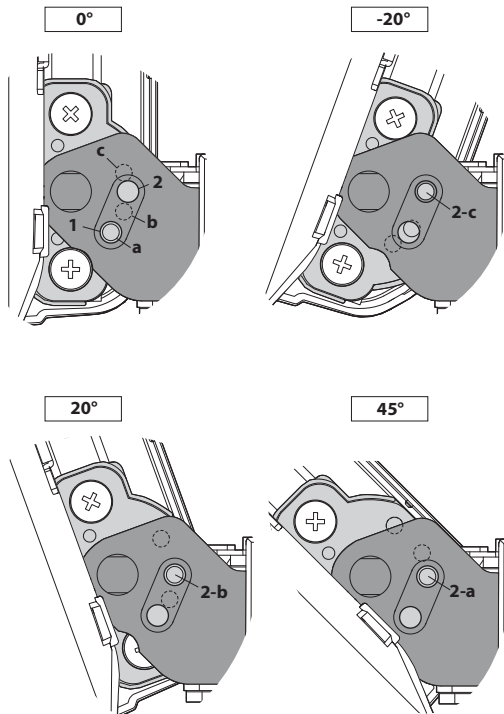
- 3) Adjust the angle of the display.



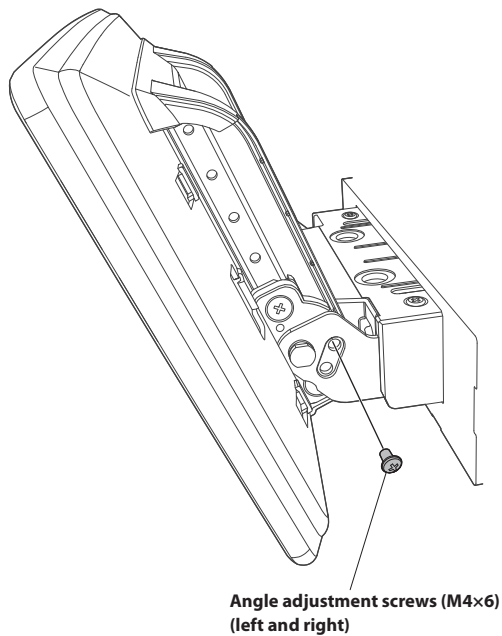
Refer to the illustration below to use the screw holes for angle adjustment.

• **Example:**

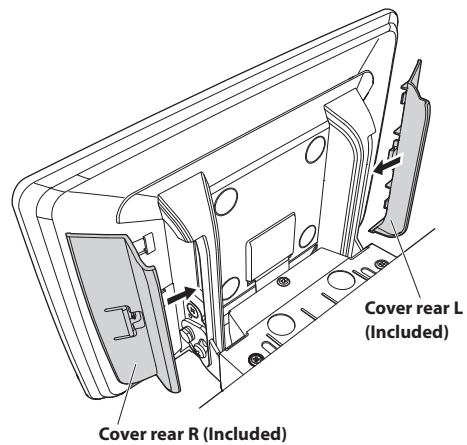
To install the display at the angle of 20°, use the screw holes 2 and b.



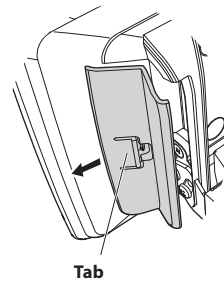
4) After adjustment, secure the display with the 2 angle adjustment screws (M4×6) (left and right) that were removed in Step 1 on page 6.



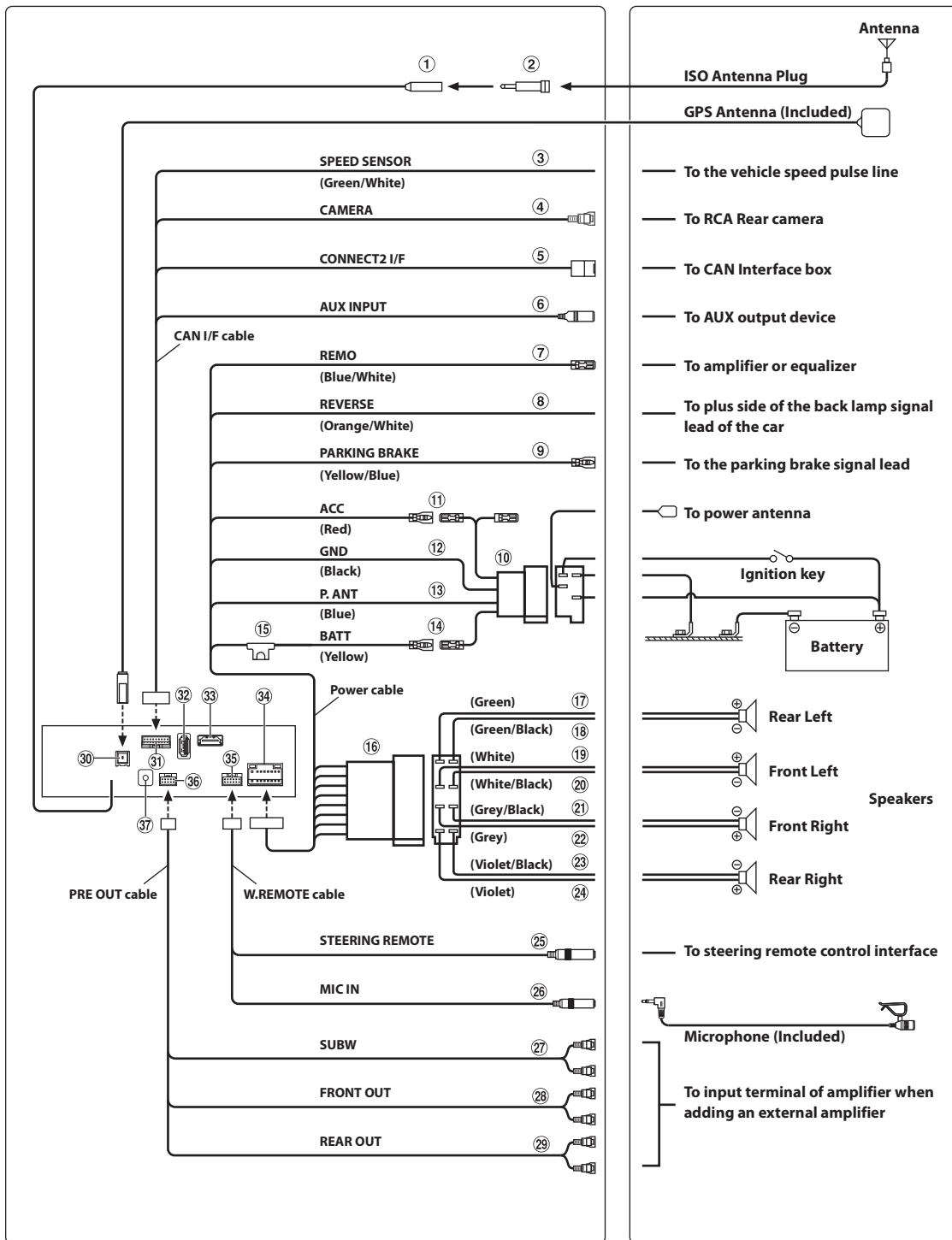
5 Attach Cover rear-L/R to the left and right sides of the display unit.



• When removing Cover rear-L/R, push in the tab and slide it.



Connections

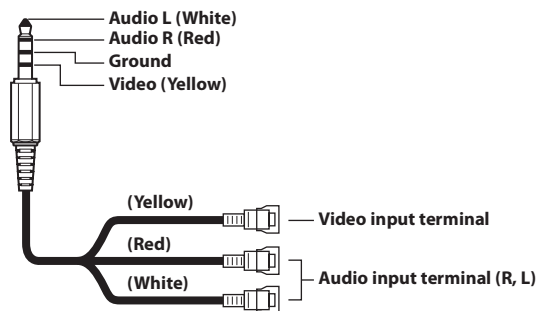


- ① **Radio Antenna Receptacle**
- ② **ISO/JASO Antenna Adapter (sold separately)**
ISO/JASO Antenna Adapter may be required, depending on the vehicle.
- ③ **Speed Sensor Lead (Green/White)**
Improper connection of the speed pulse line may cause important safety features of the vehicle to fail (such as the brakes or air bags). Such failures may result in an accident and loss of life. We strongly recommend that the installation be performed by a trained, authorized Alpine dealer.
- ④ **CAMERA Input RCA Connector**
Use when connecting a camera with RCA Output Connector.
- ⑤ **CAN Interface Connector**
To CAN Interface box
- ⑥ **AUX Input Connector**
Input lead for AUX video/audio signal.
 - A separately sold AV/RCA interface cable (4-pole mini AV plug to 3-RCA) is required. For details on using an AV/RCA interface cable (4-pole mini AV plug to 3-RCA), see "Usable AV/RCA Interface Cable (4-pole mini AV plug to 3-RCA)" (page 10).
- ⑦ **Remote Turn-On Lead (Blue/White)**
Connect this lead to the remote turn-on lead of your amplifier or signal processor.
- ⑧ **Reverse Lead (Orange/White)**
- ⑨ **Parking Brake Lead (Yellow/Blue)**
Connect this lead to the power supply side of parking brake switch to transmit the parking brake status signals to the unit.
- ⑩ **ISO Power Supply Connector**
- ⑪ **Switched Power Lead (Ignition) (Red)**
Connect this lead to an open terminal on the vehicle's fuse box or another unused power source that provides (+) 12V only when the ignition is turned on or in the accessory position.
- ⑫ **Ground Lead (Black)**
Connect this lead to a good chassis ground on the vehicle. Make sure the connection is made to bare metal and is securely fastened using the sheet metal screw provided.
- ⑬ **Power Antenna Lead (Blue)**
Connect this lead to the +B terminal of your power antenna, if applicable.
 - This lead should be used only for controlling the vehicle's power antenna. Do not use this lead to turn on an amplifier or a signal processor, etc.
- ⑭ **Battery Lead (Yellow)**
Connect this lead to the positive (+) post of the vehicle's battery.
- ⑮ **Fuse Holder (15A)**
- ⑯ **ISO Connector (Speaker Output)**
- ⑰ **Left Rear (+) Speaker Output Lead (Green)**
- ⑱ **Left Rear (-) Speaker Output Lead (Green/Black)**
- ⑲ **Left Front (+) Speaker Output Lead (White)**
- ⑳ **Left Front (-) Speaker Output Lead (White/Black)**
- ㉑ **Right Front (-) Speaker Output Lead (Grey/Black)**
- ㉒ **Right Front (+) Speaker Output Lead (Grey)**
- ㉓ **Right Rear (-) Speaker Output Lead (Violet/Black)**

- ㉔ **Right Rear (+) Speaker Output Lead (Violet)**
- ㉕ **Steering Remote Control Interface Connector**
To steering remote control interface.
For details about connections, consult your nearest Alpine dealer.
- ㉖ **MIC Input Connector**
To microphone (Included)
- ㉗ **Subwoofer RCA Connectors**
RED is right and WHITE is left.
- ㉘ **Front Output RCA Connectors**
Can be used as Front Output RCA Connectors. RED is right and WHITE is left.
- ㉙ **Rear Output RCA Connectors**
Can be used as Rear Output RCA Connectors. RED is right and WHITE is left.
- ㉚ **GPS Antenna Receptacle**
Connect to GPS antenna (Included).
- ㉛ **CAN I/F Connector**
- ㉜ **USB Connector**
To USB flash drive, iPod/iPhone or Android smartphone.
- ㉝ **HDMI Input Connector**
- ㉞ **Power Supply Connector**
- ㉟ **W.REMOTE Connector**
- ㊱ **PRE OUT Connector**
- ㊲ **DAB Antenna Connector**
To DAB Antenna (sold separately).

Usable AV/RCA Interface Cable (4-pole mini AV plug to 3-RCA)

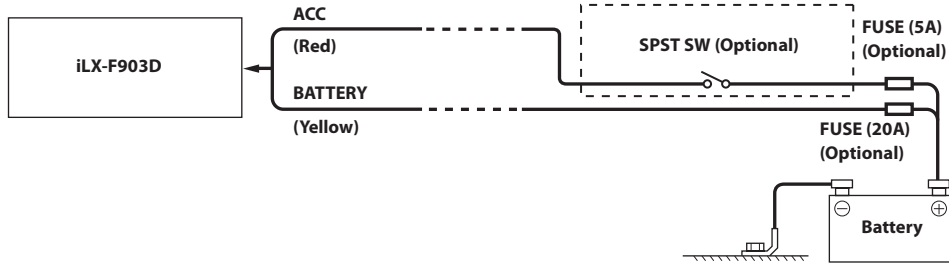
Wiring convention of this system is as follows;



- Configuration commercially available 4-pole mini AV plugs is not standardised.

If an ACC power supply is not available

Connection Diagram of SPST Switch (sold separately)



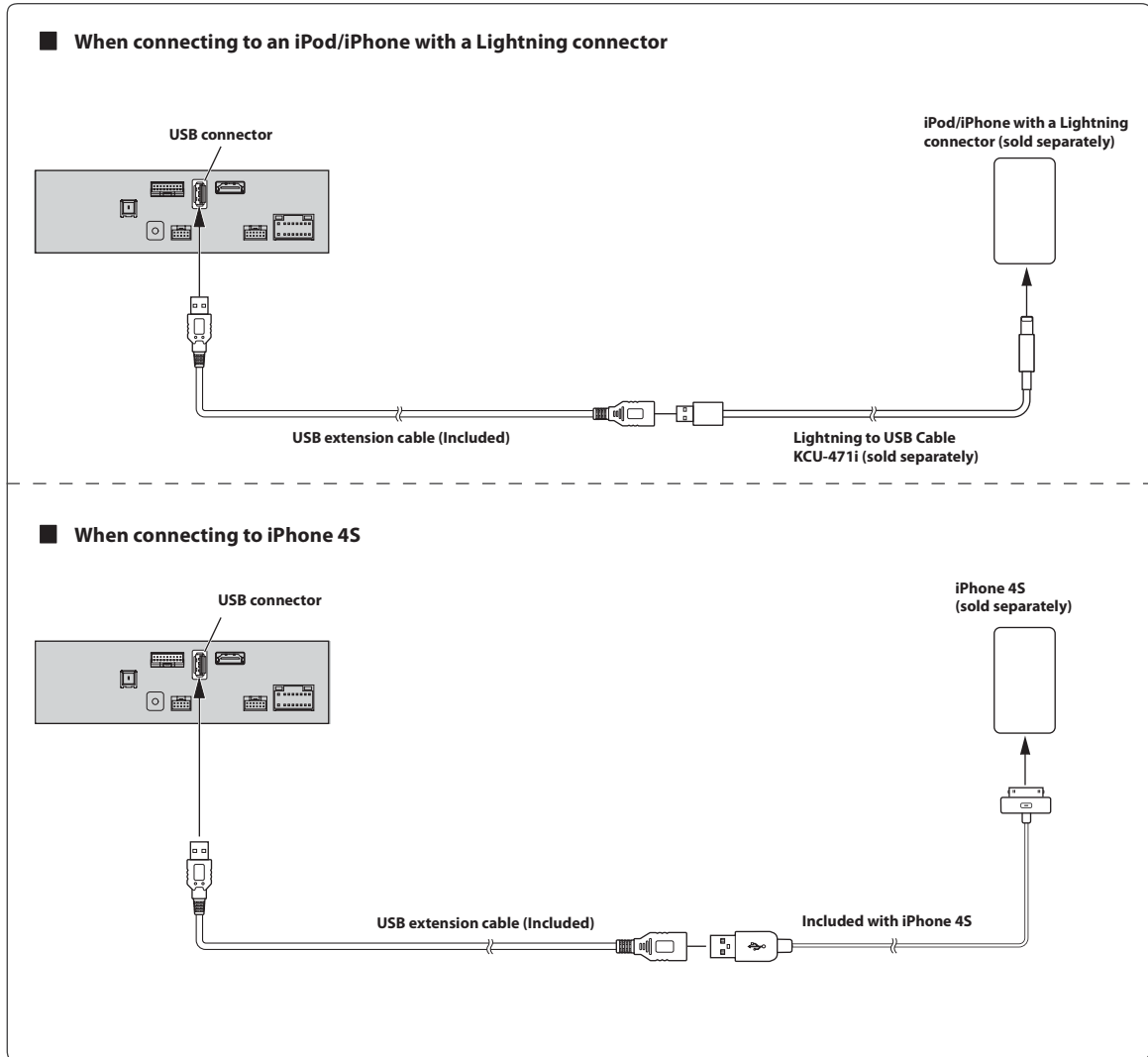
- If your vehicle has no ACC power supply, add an SPST (single-pole, single-throw) switch (sold separately) and fuse (sold separately).
- The diagram and the fuse amperage shown above are in the case when the unit is used individually.
- If the switched power (ignition) lead of the unit is connected directly to the positive (+) post of the vehicle's battery, the unit draws some current (several hundred milliamperes) even when its switch is placed in the OFF position, and the battery may be discharged.

To prevent external noise from entering the audio system.

- Locate the unit and route the leads at least 10 cm away from the car harness.
- Keep the battery power leads as far away from other leads as possible.
- Connect the ground lead securely to a bare metal spot (remove any paint, dirt or grease if necessary) of the car chassis.
- If you add an optional noise suppressor, connect it as far away from the unit as possible. Your Alpine dealer carries various noise suppressors, contact them for further information.
- Your Alpine dealer knows best about noise prevention measures so consult your dealer for further information.

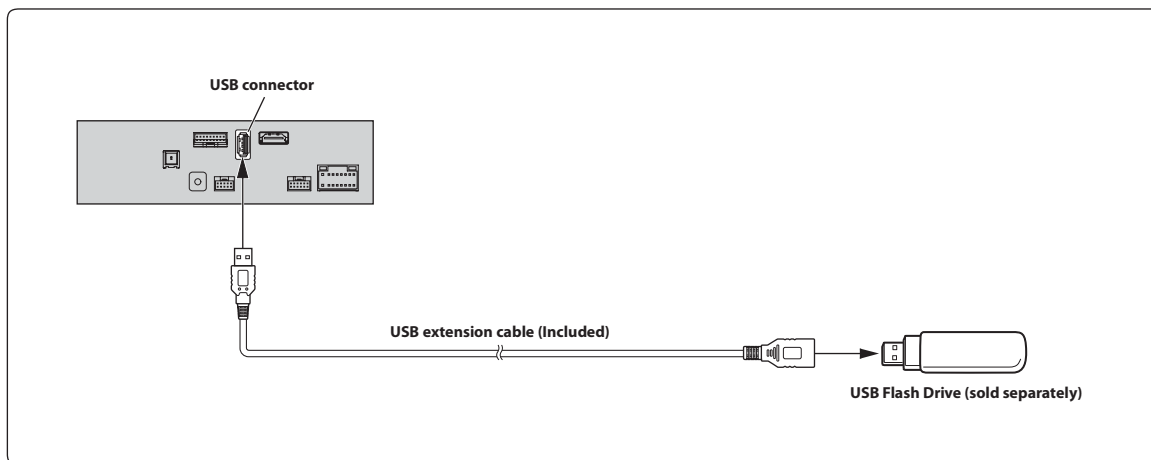
System Example

Connection of an iPod/iPhone



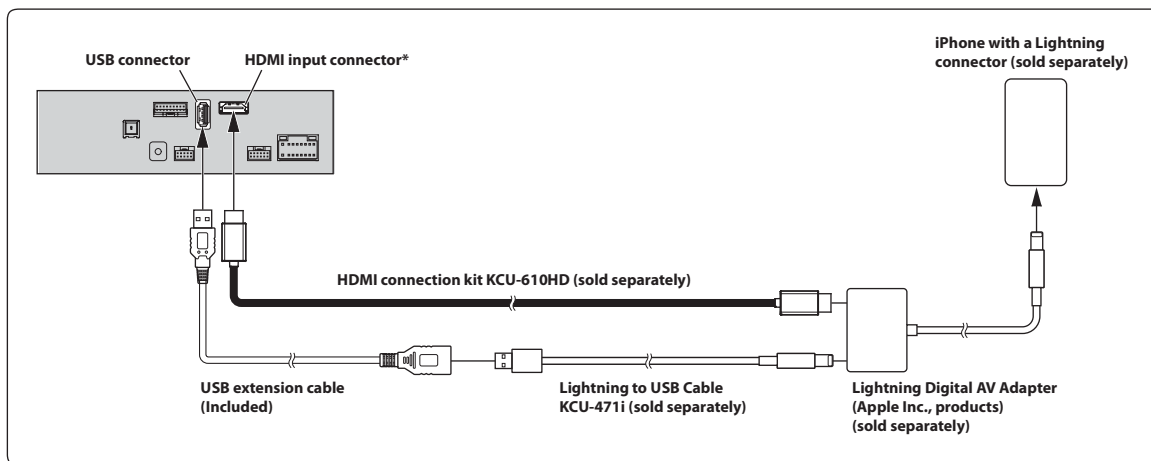
- Do not leave an iPod/iPhone in a vehicle for a long time. Heat and humidity may damage the iPod/iPhone, and you may not be able to play it again.

Connection of a Flash Drive



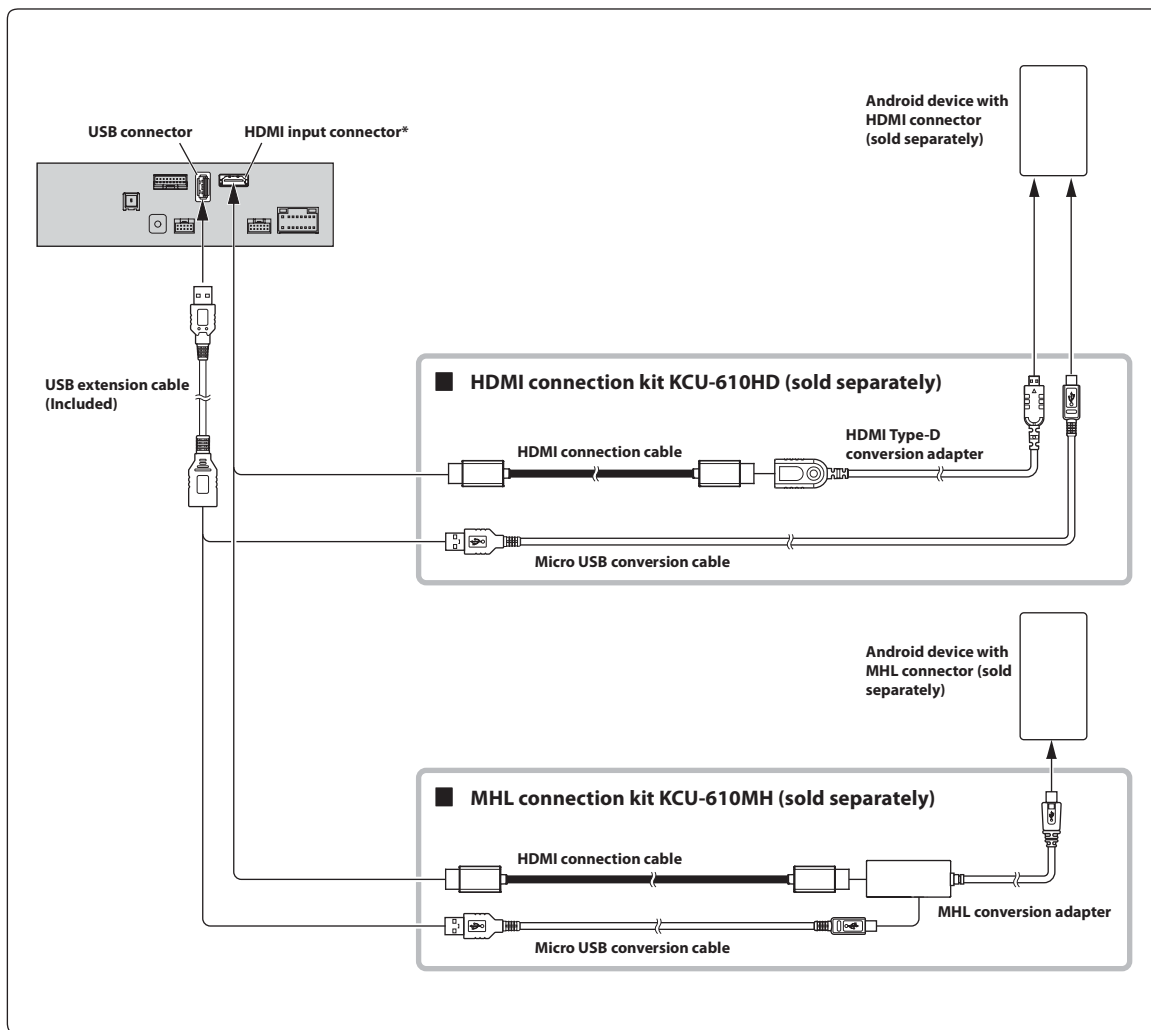
- Do not leave a flash drive in a vehicle for a long time. Heat and humidity may damage the flash drive.

Connection of an HDMI Device (iPhone with a Lightning connector)



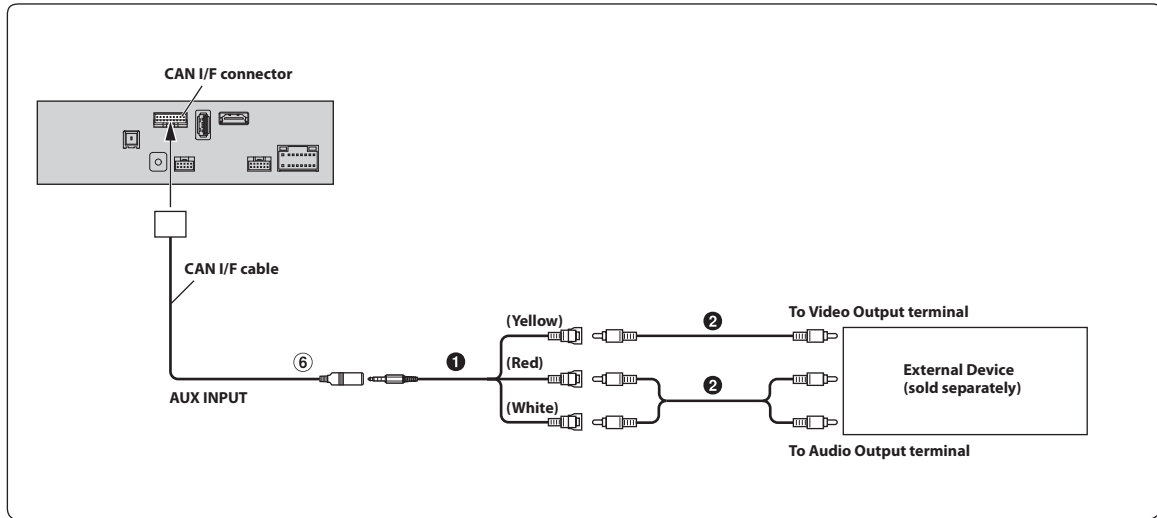
- * When connecting an HDMI connection cable, be sure to secure it using the supplied HDMI Bracket. For details on how to secure it, see "Note on using HDMI Connection Cables (HDMI Cable not included)" (page 5).
- Set the HDMI Setup to "HDMI." For details, refer to "HDMI Setup" in the OWNER'S MANUAL (CD-ROM).

Connection of an HDMI Device (Android device)



- A connection kit or adapter kit suitable for the type of terminal on the connecting device is required.
 - Set the HDMI Setup to "HDMI." For details, refer to "HDMI Setup" in the OWNER'S MANUAL (CD-ROM).
- * When connecting an HDMI connection cable, be sure to secure it using the supplied HDMI Bracket. For details on how to secure it, see "Note on using HDMI Connection Cables (HDMI Cable not included)" (page 5).

Connection of an External Device



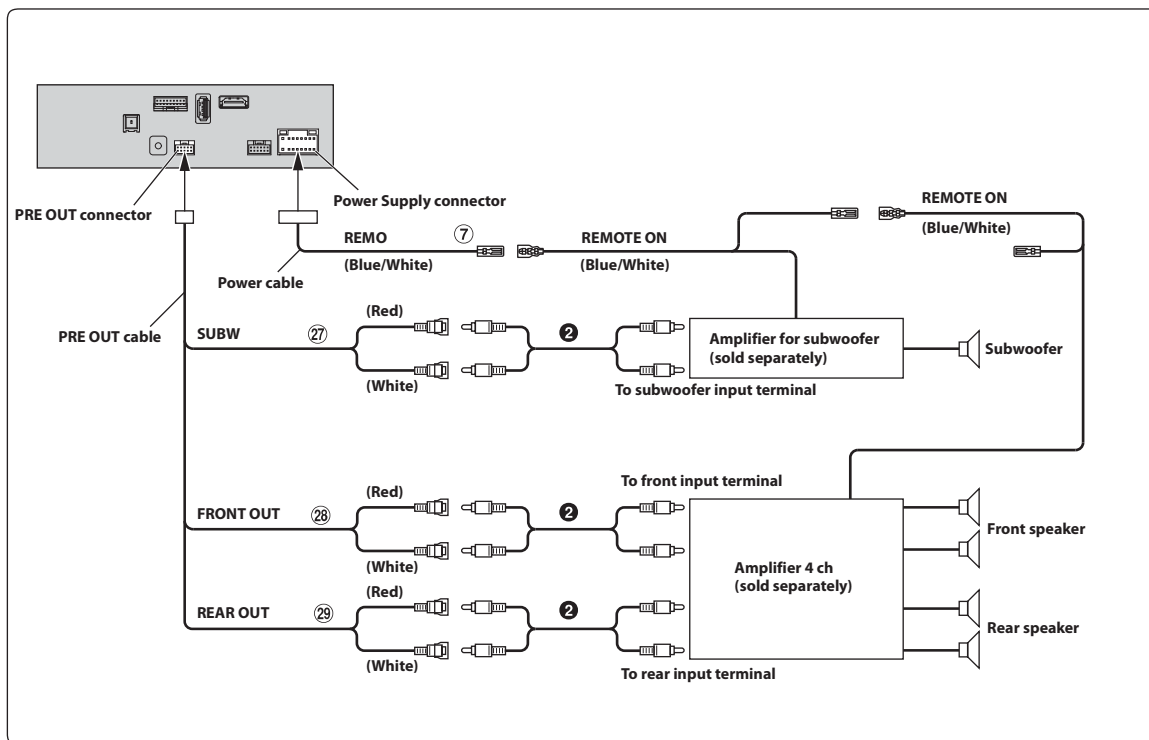
⑥ AUX Input Connector

① AV/RCA Interface Cable (4-pole mini AV plug to 3-RCA) (sold separately)

② RCA Extension Cable (sold separately)

- You can change the name of an external device. For details, refer to "Setting the Auxiliary (AUX) Name" in the OWNER'S MANUAL (CD-ROM).
- For details on using an AV/RCA interface cable (4-pole mini AV plug to 3-RCA), see "Usable AV/RCA Interface Cable (4-pole mini AV plug to 3-RCA)" (page 10).

Connection of an External Amplifier



⑦ Remote Turn-On Lead (Blue/White)

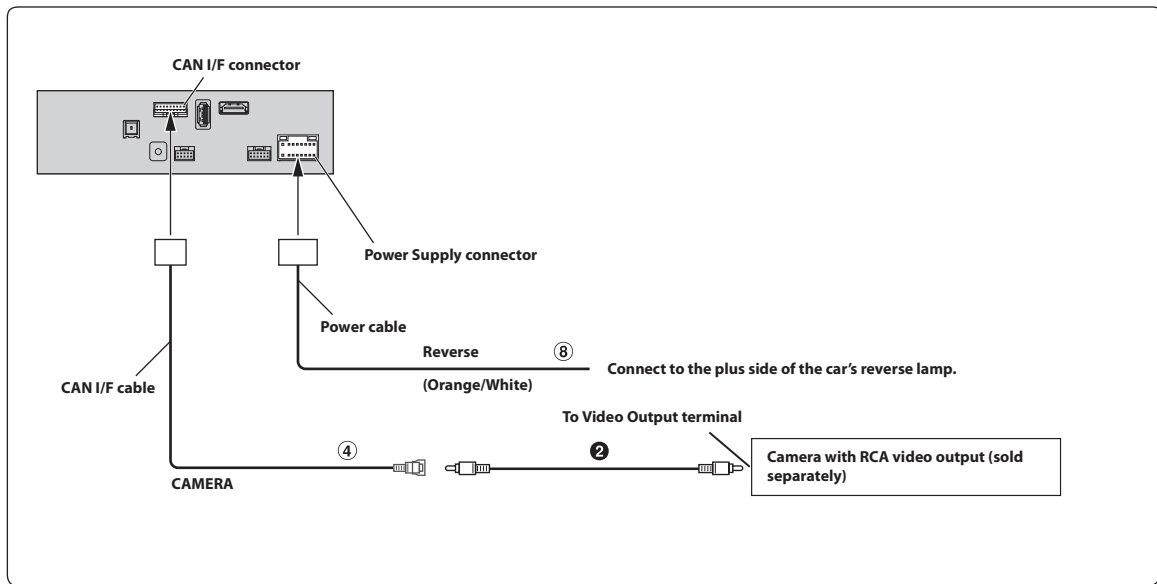
② RCA Extension Cable (sold separately)

⑳ Subwoofer RCA Connectors

㉘ Front Output RCA Connectors

㉙ Rear Output RCA Connectors

Connection of a Rearview camera



④ CAMERA Input RCA Connector

② RCA Extension Cable (sold separately)

⑧ Reverse Lead (Orange/White)

- Set the Camera Select to "Rear." For details, refer to "Setting the Camera Input" in the OWNER'S MANUAL (CD-ROM).

Position Adjustment and Mounting Dimensions of the Display

The mounting position of this unit's Display can be adjusted (front-back/up-down/angle). When mounting the Display, confirm the mounting position and mounting dimensions so that it does not obstruct your field of vision or impair driving.

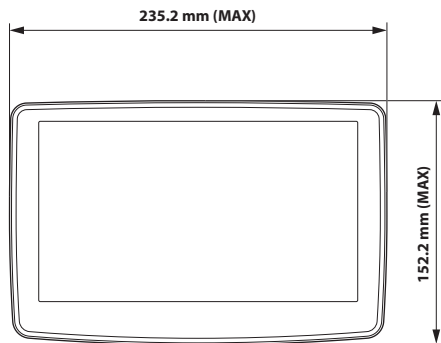
WARNING

- In the following cases, the display cannot be mounted.
 - It impairs operation of the steering wheel or various levers (gearshift, windshield wiper switch, turn signal switch, etc.)
 - It impairs operation of the airbag
 - It significantly impairs operation of the hazard switch
 - It impairs identification or operation of any other control switches
 - It impairs confirmation of gauges or warning indicators
 - It interferes with vehicle equipment (switches, panels, etc.)

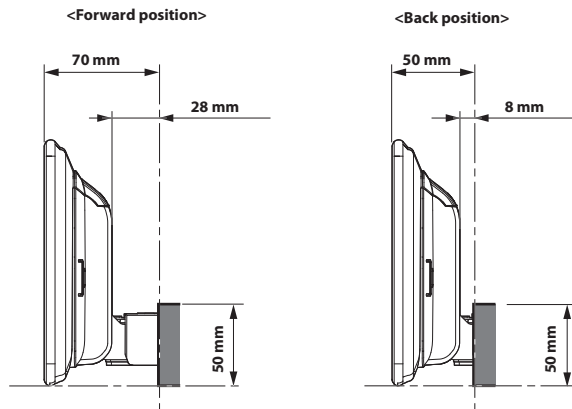
* Depending on the vehicle, the glove compartment or cup holders may become inaccessible, or air conditioner ventilation ducts may be covered.

■ Display mounting dimensions and adjustable positions

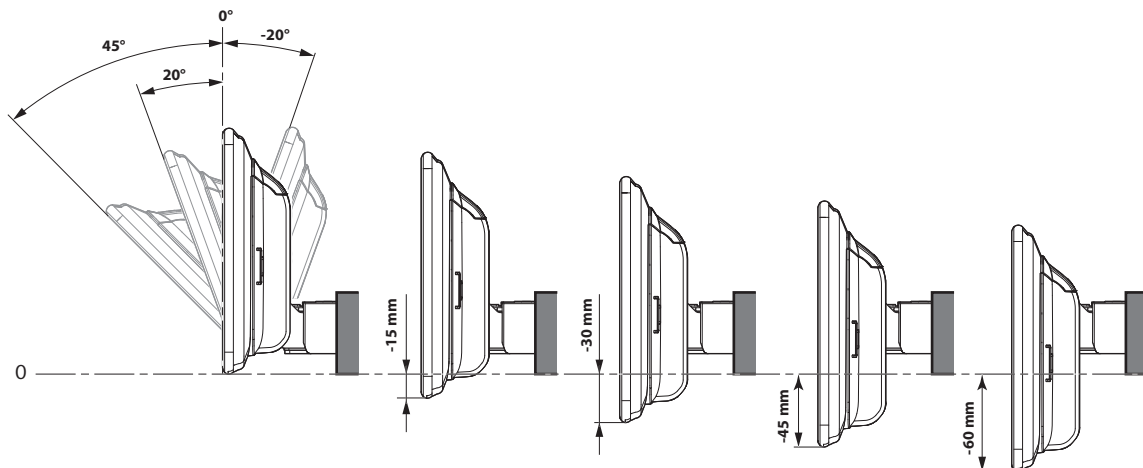
Display unit size



Front-back position



Adjustable Display angle and up-down position



* Depending on the up-down position of the forward and back positions, there are certain positions in which the angle cannot be adjusted. Consult "Mounting Dimensions for Angle Adjustment of the Display" (page 19) for details.

■ Mounting Dimensions for Angle Adjustment of the Display

<Front-back position: forward>

:mm

	Angle: 45°				Angle: 20°				Angle: -20°			
	A	A'	B	B'	A	A'	B	B'	A	A'	B	B'
0	100.8	142.4	-5.3	36.2	134.2	106.7	-5.3	53.4	100.2	80	9.3	5.6
-15 mm					120.1	101.6	-19.4	48.3	86.1	85.1	-4.9	10.7
-30 mm					106	96.4	-33.5	43.1	72	90.3	-18.9	15.8
-45 mm					91.9	91.3	-47.6	38	57.9	95.4	-33	21
-60 mm					77.8	86.2	-61.7	32.9	43.8	100.5	-47.1	26.1

<Front-back position: back>

:mm

	Angle: 45°				Angle: 20°				Angle: -20°			
	A	A'	B	B'	A	A'	B	B'	A	A'	B	B'
0	100.8	122.4	-5.3	16.2	134.2	86.7	-5.3	33.4	100.2	60	9.3	-14.4
-15 mm					120.1	81.6	-19.4	28.3	86.1	65.1	-4.9	-9.3
-30 mm									72	70.3	-18.9	-4.2
-45 mm									57.9	75.4	-33	1
-60 mm									43.8	80.5	-47.1	6.1

* The  parts in the table cannot be adjusted.